

Angular Contact Ball Bearings

Bearing No. : **NACHI 7307DB**

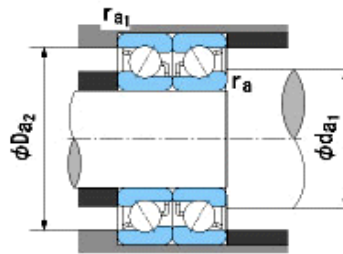
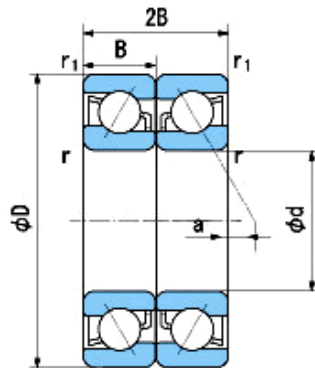
■ Bearing Type

■ Clearance

■ Tolerance Class

Dimensions

d = 35⁰_{-0.012}
 D = 80⁰_{-0.013}
 B = 21⁰_{0.000}
 r = 1.5~2.3
 (Radial Direction)
 r = 1.5~4
 (Axial Direction)
 r1 = 1~1.5
 (Radial Direction)
 r1 = 1~3
 (Axial Direction)
 a = 6.1



Dimensions

da1(min) = 44
 da2(min) = 40
 Da1(max) = 71
 Da2(max) = 74.6
 ra(max) = 1.5
 ra1(max) = 1
 Mass = 0.95 kg

Basic Dynamic Load Rating Cr : **65,000** N

Basic Static Load Rating Cor : **52,500** N

Limiting Speed ;

Grease Lubrication : **6,300** min⁻¹

Oil Lubrication : **8,500** min⁻¹

	INNER RING	OUTER RING
O.D.Surface Runout with Side :		-
Axial Runout with Bore :	-	-
Axial Runout with Raceway :	-	-
Width Variation :	0.020	0.020
Radial Runout :	0.015	0.025